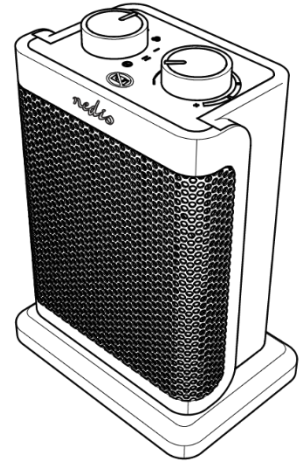
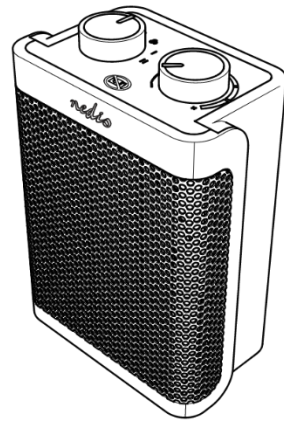


# nedis

## Ceramic Fan Heater

Article number: HTFA16GY/HTFA17GY



Nedis BV  
De Tweeling 28, 5215 MC 's-  
Hertogenbosch, The Netherlands 03/22

### Preface

Thank you for purchasing the Nedis HTFA18WT/HTFA19WT.

This document is the user manual and contains all the information for correct, efficient and safe use of the product.

This user manual is addressed to the end user. Read this information carefully before installing or using the product.

Always store this information with the product for use in the future.

### Product description

#### Intended use

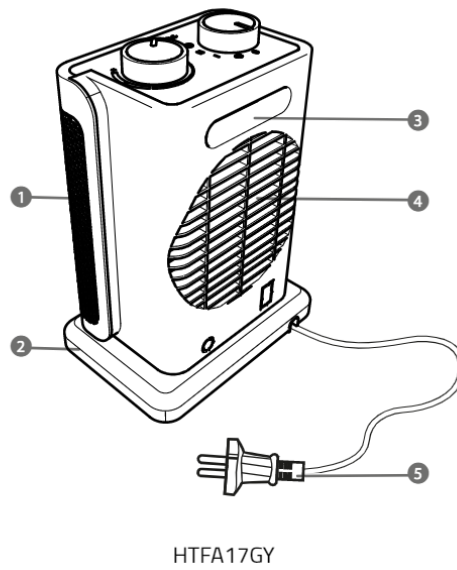
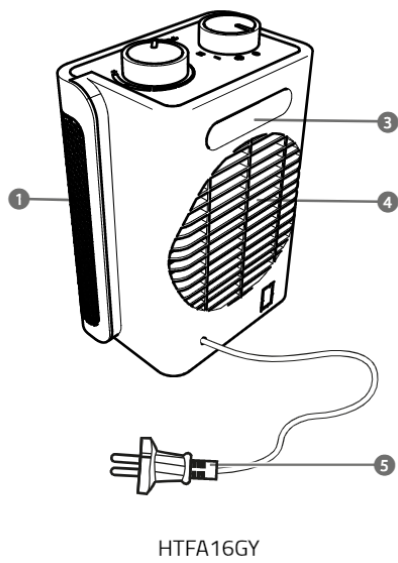
- The Nedis HTFA16GY/HTFA17GY is a heater that allows the user to control the surrounding temperature.
- This product is only suitable for well insulated spaces or occasional use.
- The built-in thermostats measures the room temperature.
- And the built-in thermostat automatically switches off the product when the desired room temperature is reached.
- When the room temperature decreases below the desired temperature, the product switches back on automatically.
- The bottom of the heater is equipped with a tip-over safety switch.
- This switch automatically switches off the product if it falls over.
- The Nedis HTFA16GY/HTFA17GY is equipped with an oscillation mode. During the oscillation mode the base of the product rotates slowly from side to side.
- This product can be used by children aged from 8 years and above and persons with reduced physical, sensory or mental capabilities or lack of experience and knowledge if they have been given supervision or instruction concerning use of the product in a safe way and understand the hazards involved. Children shall not play with the product. Cleaning and user maintenance shall not be done by children without supervision.
- Children of less than 3 years should be kept away.
- The product is intended for indoor use only.

- The product is intended for use in household environments for typical housekeeping functions that may also be used by non-expert users for typical housekeeping functions, such as: shops, offices other similar working environments, farm houses, by clients in hotels, motels and other residential type environments and/or in bed and breakfast type environments.
- Any modification of the product may have consequences for safety, warranty and proper functioning.

## Specifications

<b>Product</b>	Ceramic Fan Heater
<b>Article number</b>	HTFA16GY/HTFA17GY
<b>Dimensions (l x w x h)</b>	9.2 x 15 x 21 cm 11.5 x 16.5 x 24 cm
<b>Input power</b>	220 - 240 V ~ 50 / 60 Hz
<b>Heating power</b>	1500 W
<b>Electrical class</b>	II

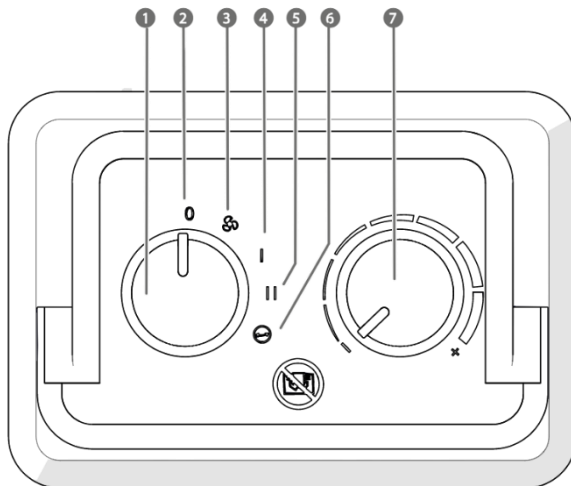
## Main parts (image A)



### A

- ① Air outlet
- ② Base
- ③ Handle
- ④ Air inlet
- ⑤ Power plug

## Control panel (image B)



### B

- ① Mode dial
- ② OFF position
- ③ Fan mode
- ④ Low heat mode
- ⑤ High heat mode
- ⑥ Oscillation mode button\*
- ⑦ Thermostat dial


\*Only for HTFA17GY

# Safety instructions



## WARNING

- Ensure you have fully read and understood the instructions in this document before you install or use the product. Keep the packaging and this document for future reference.
- Only use the product as described in this document.
- Misuse of this product can result in serious injury.
- Do not use the product if a part is damaged or defective. Replace a damaged or defective product immediately.
- Do not use the product if the surface is cracked.
- Do not drop the product and avoid bumping.
- Always check that the voltage of the product corresponds to the mains voltage.
- Only plug the cable into a wall outlet. Do not use extension cords.
- Do not plug the product in a power outlet of a power group with other products that consume a lot of power.
- Do not plug the product in a power outlet with a current of less than 10 A.
- Do not let the power cable hang over the edge of a table or counter, or touch hot surfaces.
- Do not leave the product unattended when the product is connected to the power outlet.
- Unplug the product from the power source before service and when replacing parts.
- Do not locate the product immediately below a power outlet.
- Do not unplug the product by pulling on the cable. Always grasp the plug and pull.
- Do not use external timers or remote control systems to switch the product on or off.
- Unplug the product from the power source if problems occur.
- Unplug the product and set dials to zero when not in use and before cleaning.
- To avoid overheating, do not cover the product. Keep a distance of at least 1 meter from textiles, curtains, tent cloths and other flammable objects to reduce the risk of a fire.
- Keep objects at least 50 cm from the air inlet.
- Keep objects at least 1 meter from the air outlet.
- Do not use the product outdoors, the product is designed for indoor use.
- Do not use this heater in the immediate surroundings of a bath, a shower or swimming pool.
- Do not expose the product to water or moisture.
- This product may not be used by persons (including children) whose physical, sensory or mental capabilities or lack of experience and knowledge prevents them from using the product safely without supervision or instruction.
- Children should be supervised to ensure that they do not play with the product.
- Any modification of the product may have consequences for safety, warranty and proper functioning.
- If the power cable is damaged, it must be replaced by the manufacturer, its service agent or similarly qualified persons in order to avoid a hazard.
- This product may only be serviced by a qualified technician for maintenance to reduce the risk of electric shock.

## Explanation of the safety symbols on the product

Icon	Description
	To avoid overheating, do not cover the product.

## Explanation of the symbols on the product or packaging

Icon	Description
	Indication to explain that the product needs to be collected separately when disposed. Do not throw in the trash bin.
	Electronic equipment needs to bear the CE mark in order to be marketed in the EU. CE marking shows that a product is assessed before being placed on the market and that it meets EU safety, health and environmental protection requirements. CE marking is also sometimes accepted as a means of compliance with type-approval requirements; for example, electronic components that require type-approval and also CE marking for electromagnetic compatibility (EMC) or low-voltage equipment.

## Installation

Check that all parts are present and that no damage is visible on the parts. If parts are missing or damaged, contact the Nedis B.V. service desk via the website: [www.nedis.com](http://www.nedis.com).

## Before first use

1. Remove all packaging.
2. Place the product on a stable and flat surface.
  - ⚠ Keep objects at least 50 cm from the air inlet **A**①.
  - ⚠ Keep objects at least 1 meter from the air outlet **A**①.
3. Connect the power plug **A**⑤ into a power outlet.
  - ⚠ Do not plug the product in a power outlet of a power group with other products that consume a lot of power.
  - ⚠ Do not plug the product in a power outlet with a current of less than 10 A.

## Use

### Using the product

1. Switch the mode dial **B**① to the desired mode:

Mode	Fan	Heater
OFF position <b>B</b> ②	Off	Off
Fan mode <b>B</b> ③	On	Off
Low heat mode <b>B</b> ④	On	1000 W power
High heat mode <b>B</b> ⑤	On	1500 W power
Oscillation mode <b>B</b> ⑥	On	1500 W power + oscillation*

\* = The product rotates slowly over the base from side to side.

2. Rotate the thermostat dial **B**⑦ to adjust the desired room temperature.
  - When the room temperature reaches the selected level, the built-in thermostat automatically switches off the product.
  - When the room temperature decreases, the built-in thermostat automatically switches the product back on.

⚠ The tip-over safety switch automatically switches off the product when it falls over. Before using the product again: Switch off the product, disconnect the power plug and check for damage.

⚠ Do not use a damaged or defective product, but return it for repair or replacement.

### Stop using the product

1. Switch **B**① to the OFF position **B**②.
2. Unplug **A**⑤ from the power outlet.
3. Allow the product to cool down.

## Maintenance

### Cleaning the product

1. Before cleaning and maintenance, switch off the product and disconnect the power.
2. Allow the product to cool down.
3. Clean the outside of the product with a soft, clean, lightly damp cloth.
4. Clean the openings of the product with a fine brush.

⚠ Do not immerse the product in water or other liquids.

⚠ Do not use aggressive chemical cleaning agents such as ammonia, acid or acetone when cleaning the product.

⚠ Avoid abrasives that can damage the surface.

## Warranty

Any changes and/or modifications to the product will void the warranty. We accept no liability for damage caused by improper use of the product.

This product is designed for private use (normal domestic use) only. Nedis is not responsible for wear, defect and/or damages caused by commercial use of the product.

## Disclaimer

Designs and specifications are subject to change without notice. All logos, brands and product names are trademarks or registered trademarks of their respective owners and are hereby recognized as such.

## Disposal



This symbol indicates that this product should not be thrown away with other household waste throughout the EU. To prevent possible harm to the environment or human health by uncontrolled waste disposal, you are responsible for recycling it so that it can promote the sustainable reuse of raw materials. To return your used product, you can use the regular return and collection systems or contact the store where the product was purchased. They can recycle this product for the environment.